



Special steel, hardened

$(11,5 \pm 1,0) \times 10^{-6} K^{-1}$

Max. perm. deviation from the nominal size: 20  $\mu m$  or 0.0008 in.  
Uniformity of size within a set of three balls having the same nominal size: 1  $\mu m$  or 0.00004 in

$\pm 0,5 \mu m$  or  $\pm 0.00002$  in

Full set or set including three balls of same nominal size

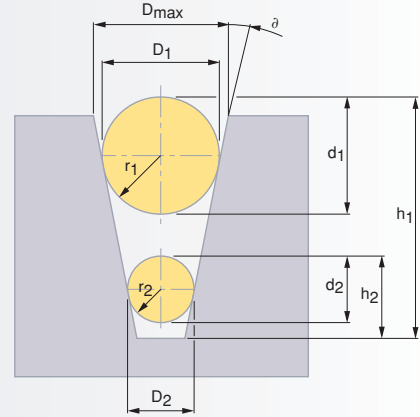
Wooden case

UKAS calibration certificate

## Steel Balls

Steel balls are used to measure internal tapers and the like.

### TESA Steel Balls



mm		mm	Step mm	Nbr of pieces/ Nominal size	Total pieces
<b>0651500950</b>	Steel ball set	1 ÷ 25	1	3	75
<b>0651500951</b>	Steel ball set	1,5 ÷ 12,5	1	3	36
in		in	Step in	Nbr of pieces/ Nominal size	Total Pieces
<b>0652500950</b>	Steel ball set	$1/16 \div 1/2$	$1/32$	3	45
<b>On request</b>	3-piece steel ball set				



Special steel, hardened

3  $\mu m$

Not available individually

Plastic case

## Brown & Sharpe Steel Balls



mm		mm	Step mm	Nbr of pieces/ Nominal size	Total pieces
<b>06769009</b>	Steel ball set	1 ÷ 25	1	2	50

