

Digital depth models

with short cut measuring face



ISO 13385-2:2019



Hardened stainless steel



LCD, 11 mm



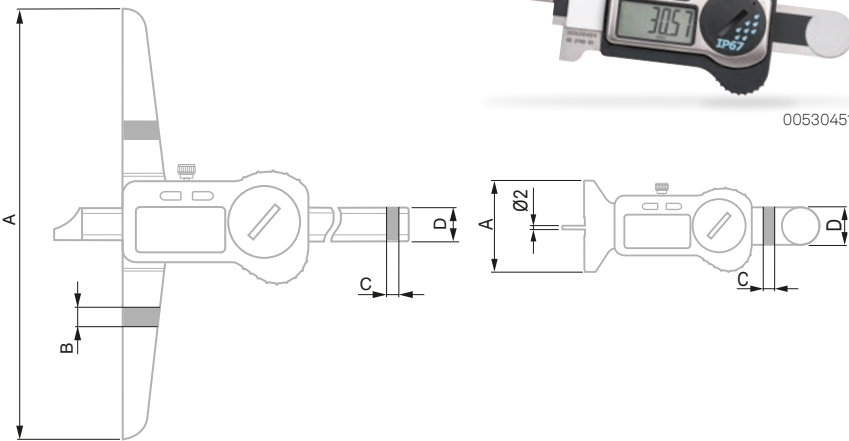
Resolution
0,01 mm / .0005 in



Data transmission
(via cable or wireless)



Locking screw
of the slider



00530451

Part number	Measuring range		Degree of protection	Steel measuring tip	Data transmission	A	B	C	D
	[mm]	[in]				[mm]	[mm]	[mm]	[mm]
00530441	200	8	IP67	-	●	100	8	4	15
00530442	250	10	IP67	-	●	100	8	4	15
00530443	300	12	IP67	-	●	150	8	4	15
00530444	500	20	IP67	-	●	150	8	4	15
00530451	25	1	IP67	●	●	50	-	4	20