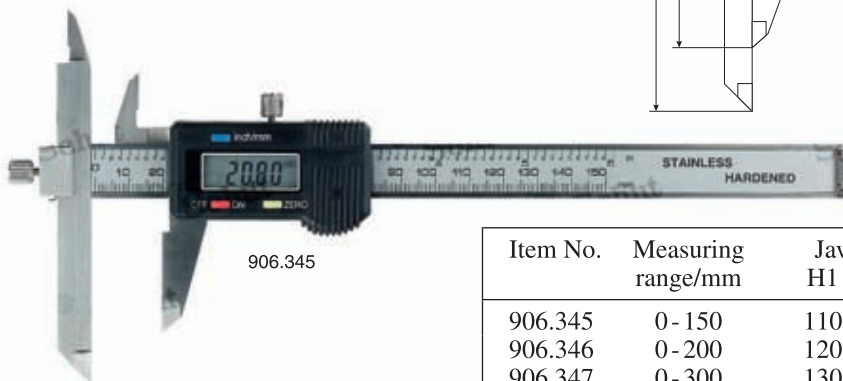
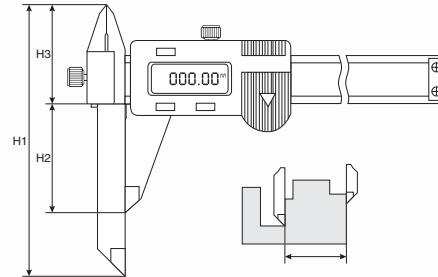


Digital calipers with slidable measuring jaw

For measuring distances between planes at different levels. Very suitable as scribing tool!

- Measuring range: 0 - 500 mm.
- Resolution: 0.01 mm.
- mm/inch conversion.
- On/off switch.
- Reset.
- Power supply: 1 battery (V357).



Item No.	Measuring range/mm	Jaw length/mm			Price EUR
		H1	H2	H3	
906.345	0 - 150	110	40	37	
906.346	0 - 200	120	50	40	
906.347	0 - 300	130	60	42	
906.348*	0 - 500	210	100	69	

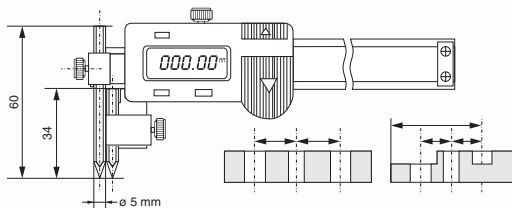
Option:
836.535 Spare battery

* Model with absolute digital display.

Digital calipers for measuring center distances

Suited for measuring center distances between bores from $\varnothing 1$ up to 4.5 mm. Because both measuring jaws are adjustable in height it is possible to measure center distances between bores that are positioned at different levels.

- Measuring range: 5 - 300 mm.
- Resolution: 0.01 mm.
- mm/inch conversion.
- On/off switch.
- Reset.
- Power supply: 1 battery (V357).



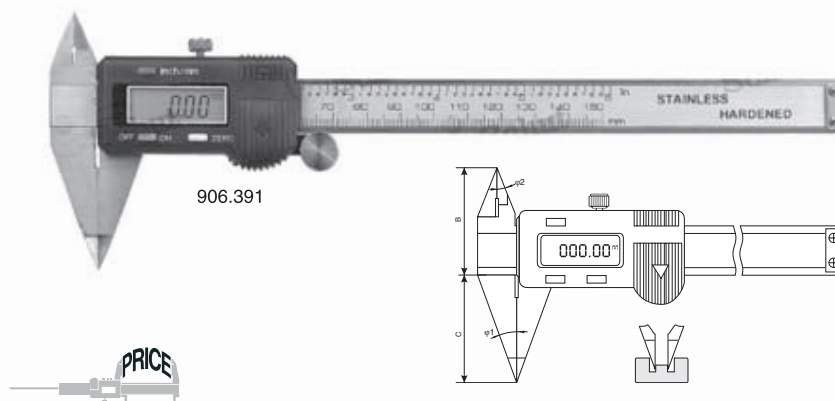
Item No.	Measuring range/mm	Price EUR
906.395	5 - 150	
906.396	5 - 200	
906.397	5 - 300	

Option:
836.535 Spare battery

Digital calipers with pointed measuring jaws

The pointed measuring jaws of these calipers enable you to measure distances in places that are hard to reach.

- Measuring range: 0-300 mm.
- Resolution: 0.01 mm.
- mm/inch conversion.
- On/off switch.
- Reset.
- Power supply: 1 battery (V357).



Item No.	Measuring range/mm	Jaw length C/mm	Length B/mm	Angle φ1	Angle φ2	Price EUR
906.391	0-150	40	37	20°	20°	
906.392	0-200	50	40	20°	22.5°	
906.393	0-300	60	42	20°	22.5°	

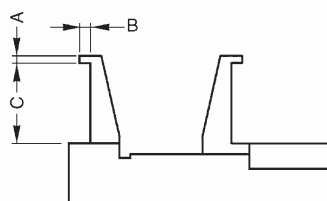
Option:
836.535 Spare battery



Digital calipers with outside angled measuring jaws

These calipers have short, stable, V-shaped measuring jaws with a flat front. Specially designed for measuring bore and internal groove diameters.

- Measuring range: 8-200 mm.
- Resolution: 0.01 mm.
- mm/inch conversion.
- Thickness measuring face: 0.5 mm.
- On/reset switch.
- Automatic switch-off.
- Reset at 10 mm (delivery incl. setting ring).
- Power supply: 1 battery (V357).



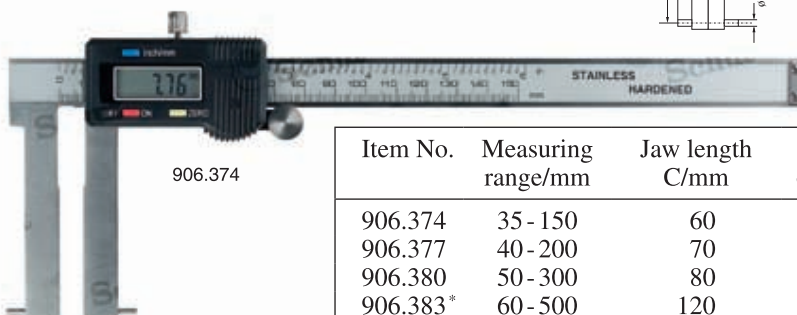
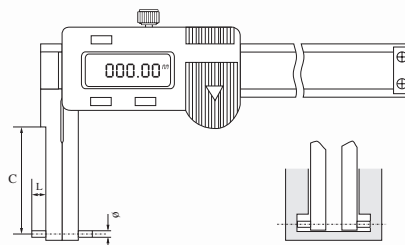
Item No.	Measuring range/mm	Size/mm			Price EUR
		A	B	C	
907.556	8-150	1.5	3.5	27.5	
907.557	8-200	1.5	3.5	27.5	

Option:
836.535 Spare battery

Digital calipers with outside angled measuring pins

These calipers are equipped with outside angled rounded pins.

- Measuring range: 35 - 500 mm.
- Resolution: 0.01 mm.
- mm/inch conversion.
- On/off switch.
- Reset.
- Power supply: 1 battery (V357).



906.374

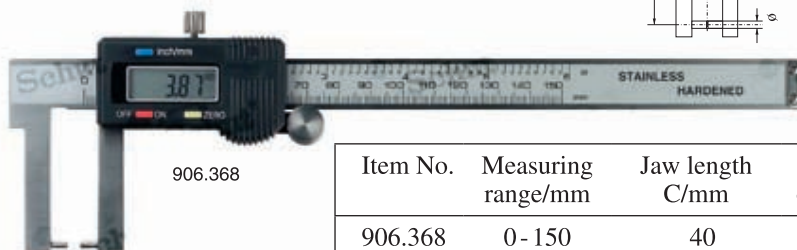
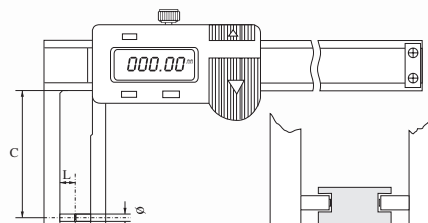
Item No.	Measuring range/mm	Jaw length C/mm	Pin ϕ /mm	Pin length L/mm	Price EUR
906.374	35 - 150	60	2	6	
906.377	40 - 200	70	3	7	
906.380	50 - 300	80	3	8	
906.383*	60 - 500	120	2.5	10	
Option:					
836.535	Spare battery				

* Model with absolute digital display.

Digital calipers with inside angled measuring pins

These calipers are equipped with inside angled rounded pins.

- Measuring range: 0 - 500 mm.
- Resolution: 0.01 mm.
- mm/inch conversion.
- On/reset switch.
- Power supply: 1 battery (V357).



906.368

Item No.	Measuring range/mm	Jaw length C/mm	Pin ϕ /mm	Pin length L/mm	Price EUR
906.368	0 - 150	40	2	5	
906.369	0 - 200	50	2.5	8	
906.370	0 - 300	60	2.5	10	
906.371*	0 - 500	100	3	12	
Option:					
836.535	Spare battery				

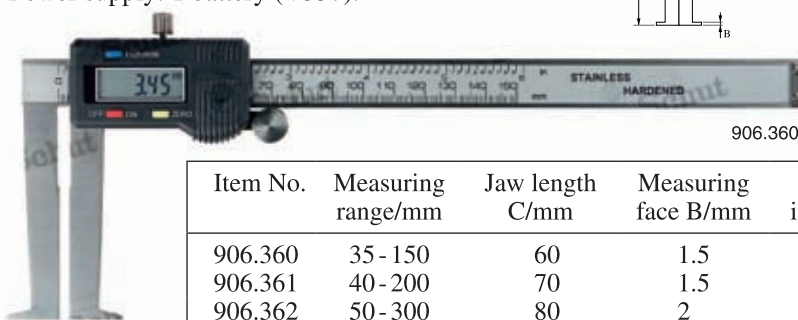
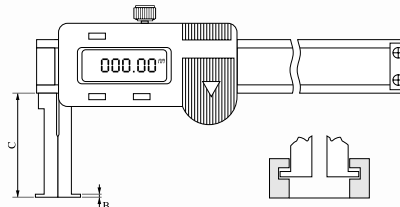
* Model with absolute digital display.



Digital calipers with outside angled measuring jaws

These calipers are equipped with outside angled V-shaped measuring jaws.

- Measuring range: 35 - 500 mm.
- Resolution: 0.01 mm.
- mm/inch conversion.
- On/off switch.
- Reset.
- Power supply: 1 battery (V357).



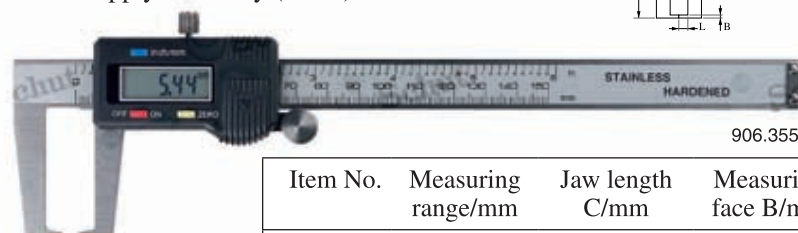
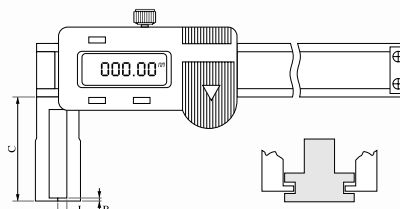
Item No.	Measuring range/mm	Jaw length C/mm	Measuring face B/mm	Extra length for internal meas./mm	Price EUR
906.360	35 - 150	60	1.5	35	
906.361	40 - 200	70	1.5	40	
906.362	50 - 300	80	2	50	
906.363*	60 - 500	120	2	60	
Option: 836.535 Spare battery					

* Model with absolute digital display.

Digital calipers with inside angled measuring jaws

These calipers are equipped with inside angled V-shaped measuring jaws.

- Measuring range: 0 - 500 mm.
- Resolution: 0.01 mm.
- mm/inch conversion.
- On/off switch.
- Reset.
- Power supply: 1 battery (V357).



Item No.	Measuring range/mm	Jaw length C/mm	Measuring face B/mm	Jaw length L/mm	Price EUR
906.355	0 - 150	40	1	5	
906.356	0 - 200	50	1	8	
906.357	0 - 300	60	1.5	10	
906.358*	0 - 500	100	2	12	
Option: 836.535 Spare battery					

* Model with absolute digital display.

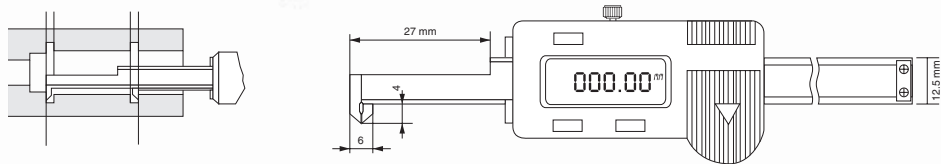


Digital calipers for internal length measurement

Calipers with outside angled, pointed measuring jaws for the measurement of for example internal grooves.

- Measuring range: 0 - 200 mm.
- Resolution: 0.01 mm.
- mm/inch conversion.
- On/reset switch.
- Power supply: 1 battery (V357).

Item No.	Measuring range/mm	Price EUR
906.386	0 - 140	
906.387	0 - 200	
Option:		
836.535	Spare battery	



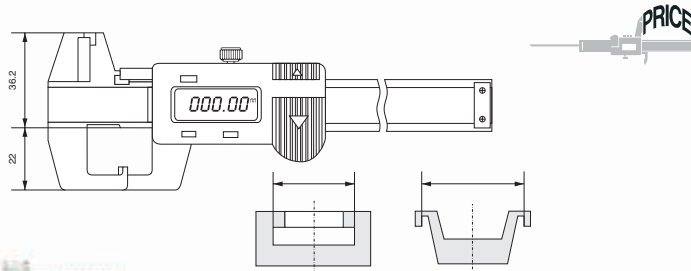
Digital caliper for groove measurements

- Measuring range: 0 - 150 mm.
- Resolution: 0.01 mm.
- mm/inch conversion.
- On/off switch.
- Reset.
- Also suitable for:
 - internal diameter attached collar,
 - internal diameter U-shaped flange on axis,
 - center distances blind holes under-surface flange on axis,
 - hole diameter hard to reach places,
 - height measurement,
 - groove width and groove distance.



- Equipped with small measuring jaws on top of the caliper.
- Power supply: 1 battery (V357).

Item No.	Measuring range/mm	Price EUR
906.365	0 - 150	
Option:		
836.535	Spare battery	

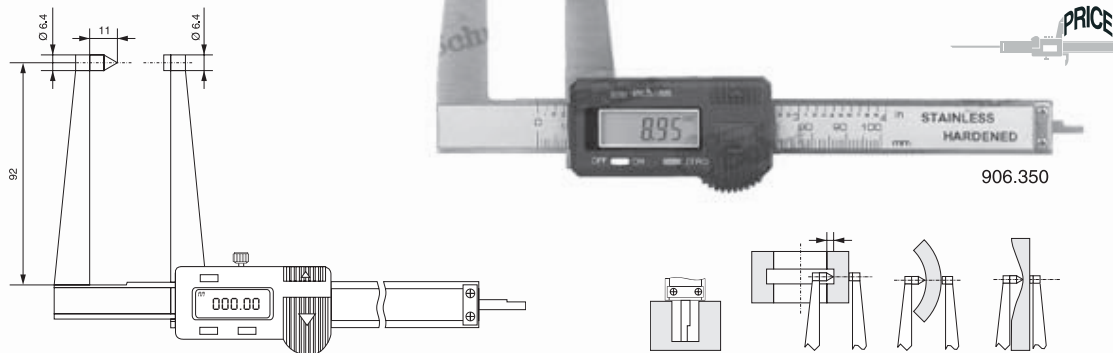


Digital calipers with pointed anvil

Because of the pointed anvil and the long measuring jaws you can measure with this caliper all sorts of wall thicknesses in places that are hard to reach and of for example round surfaces.

- Measuring range: 0 - 150 mm.
- Resolution: 0.01 mm.
- mm/inch conversion.
- On/off switch.
- Reset.
- Flat depth rod.
- Power supply: 1 battery (V357).

Item No.	Measuring range/mm	Price EUR
906.350	0 - 75	
906.351	0 - 125	
906.352	0 - 150	
Option:		
836.535	Spare battery	

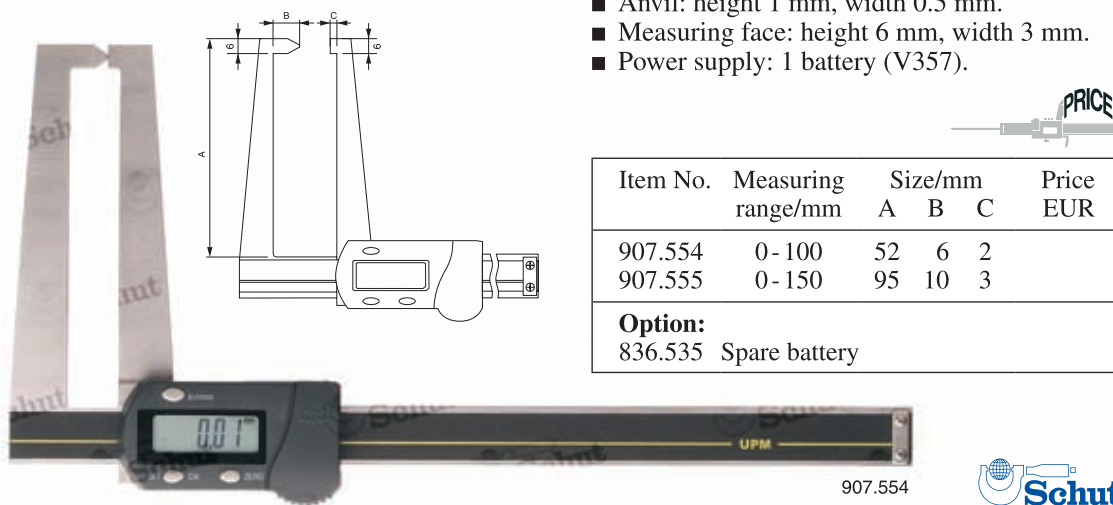


Digital calipers with square, pointed anvil

Because of the pointed anvil and the long measuring jaws you can measure with this caliper all sorts of wall thicknesses in places that are hard to reach and of for example round surfaces.

- Measuring range: 0 - 150 mm.
- Resolution: 0.01 mm.
- mm/inch conversion.
- Digit height: 10 mm.
- On/off switch.
- Reset.
- Anvil: height 1 mm, width 0.5 mm.
- Measuring face: height 6 mm, width 3 mm.
- Power supply: 1 battery (V357).

Item No.	Measuring range/mm	Size/mm			Price EUR
		A	B	C	
907.554	0 - 100	52	6	2	
907.555	0 - 150	95	10	3	
Option:					
836.535	Spare battery				



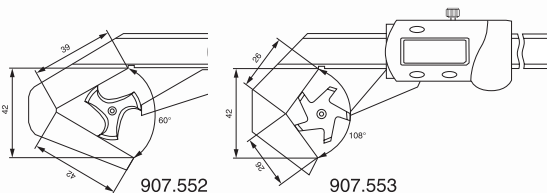
Digital calipers with prismatic anvil

Digital calipers with prismatic anvil for measuring objects with an uneven number of grooves like cutters, reamers and drills. The angle of the prism aperture is designed for work pieces having a number of 3 or 5 flutes.

- Measuring range: 1 - 40 mm.
- Resolution: 0.01 mm.
- Accuracy: ± 0.05 mm.
- mm/inch conversion.
- On/off switch.
- Reset through SET switch.
- Max. measuring speed: 1.5 m/s.
- Including setting gauge $\varnothing 4$ mm (907.552) or $\varnothing 1$ mm (907.553).
- Power supply: 1 battery (V357).
- Also analog models available.

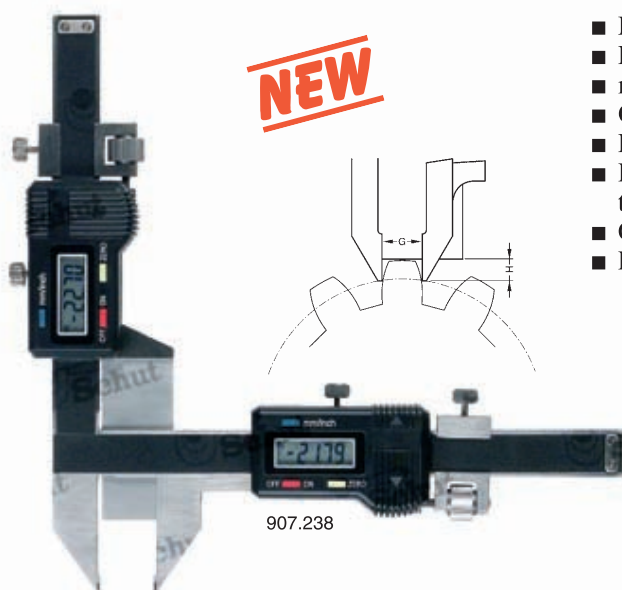


Item No.	For work pieces with	Measuring range/mm	Price EUR
907.552	3 flutes	4 - 40	
907.553	5 flutes	1 - 40	
Option: 836.535 Spare battery			



Digital gear tooth (module) calipers

The vertical slider sets the height (H) from the top of the tooth to the pitch line. Subsequently, the horizontal slider measures the tooth thickness (G) at the pitch line.



- Measuring range: module 1 - 50.
- Resolution: 0.01 mm.
- mm/inch conversion.
- On/off switch.
- Reset.
- Hardened stainless steel construction, with tungsten carbide measuring faces.
- Conforms to factory standard.
- Power supply: 2 batteries (V357).

Item No.	Module	Price EUR
907.238	1 - 30	
907.239	5 - 50	
Option: 836.535 Spare battery (2 needed)		

Universal digital calipers

Large calipers, with a data output and exchangeable measuring inserts for special purposes (optionally available). All inserts with M2.5 thread can be used with this caliper. Please see the dial indicator accessories section for these inserts.

- Measuring range: 0 - 500 mm.
- Resolution: 0.01 mm.
- mm/inch conversion.
- ABS/INC switchable.
- Opto-RS232C data output.
- On/off switch.
- Reset/preset.
- Hold function.
- Interchangeable measuring inserts (not included).
- Locking screw.
- Stainless steel construction.
- Conforms to factory standard.
- Delivery in a case.
- Power supply: 1 battery (CR2032).



Item No.	Measuring range/mm		Jaw length mm	Weight kg	Price EUR
	internal	external			
836.408	40 - 300	0 - 300	90	1.16	
836.409	50 - 500	0 - 500	100	2.52	

Options:
 495.157 Spare battery
 781.887 Opto-RS232C cable 9p (2 m)

