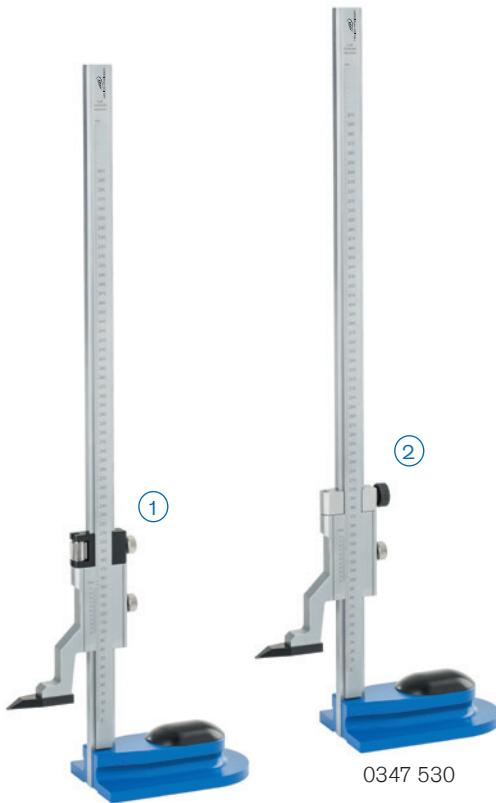




0345 / 0347 Analogue height and scribing gauges



0345 530

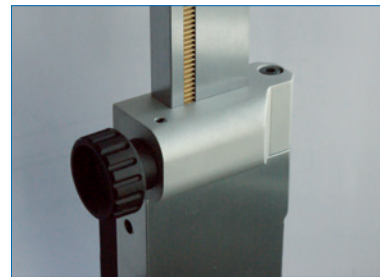
0347 530

Model

- Measuring beam is made from stainless steel
- Vernier and scale are satin chrome finished
- Parallax-free reading
- Setting screw
- Fine adjustment
- Accurate fine adjustment on gear rack and setting wheel with pinion
- Steel base with dirt grooves
- Scribing possible from base plate level
- Factory standard

Delivery

- With exchangeable scriber, carbide tipped, 75 mm



② Fine adjustment on gear rack

☒	☒	Measuring range mm	Reading mm	Base dimensions mm	Rail cross-section mm	Order no.	List price EUR
With fine adjustment							
		0 - 300	0.02	145 x 90 x 44	30 x 12	0345 522	389.00
		0 - 600	0.02	189 x 118 x 44	30 x 12	0345 530	487.00
		0 - 1000	0.02	189 x 118 x 44	30 x 12	0345 534	670.00
With pinion							
		0 - 300	0.02	145 x 90 x 44	30 x 12	0347 522	497.00
		0 - 600	0.02	189 x 118 x 44	30 x 12	0347 530	627.00
		0 - 1000	0.02	189 x 118 x 44	30 x 12	0347 534	865.00

0345 Replacement scribers for 0345 / 0347



Model

- Carbide tipped
- Packing: individually packed

☒	☒	Length mm	Material	Order no.	List price EUR
		75	Carbide-tipped	0345 910	124.00
		150	Carbide-tipped	0345 912	138.00



0345 / 0347 DIGI-MET® Height and scribing gauges



Model

- Measuring beam is made from stainless steel
- LCD-display 11 mm
- Setting screw
- Fine adjustment
- Accurate fine adjustment on gear rack and setting wheel with pinion
- Steel base with dirt grooves
- Scribing possible from base plate level
- Factory standard

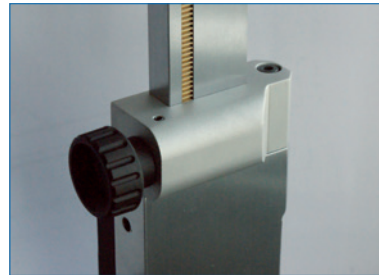
Functions



- ON / OFF
- Set to zero at any point
- mm / inch switching
- PRESET-Function (setting a numerical value)
- Hold
- ABS (display can be set to zero without losing the Preset value)
- Reversal of counting direction
- Factor input
- Data output Proximity USB + RS232

Delivery

- With interchangeable scribing jaws, carbide tipped, 75 mm



② Fine adjustment on gear rack

⊞	⊞	Measuring range		Reading		Base dimensions mm	Rail cross-section mm	Order no.	List price EUR
		mm	inch	mm	inch				
With fine adjustment									
		0 - 300	0 - 12	0.01	.0005	145 x 90 x 44	30 x 12	0345 722	562.00
		0 - 600	0 - 24	0.01	.0005	189 x 118 x 44	30 x 12	0345 730	702.00
		0 - 1000	0 - 39	0.01	.0005	189 x 118 x 44	30 x 12	0345 734	973.00
With pinion									
		0 - 300	0 - 12	0.01	.0005	145 x 90 x 44	30 x 12	0347 722	692.00
		0 - 600	0 - 24	0.01	.0005	189 x 118 x 44	30 x 12	0347 730	865.00
		0 - 1000	0 - 39	0.01	.0005	189 x 118 x 44	30 x 12	0347 734	1190.00

Accessories

	Order no.	List price EUR
Battery, 3V-Lithium, CR 2032	0220 704	3.90
Data cable Proximity to USB	1998 760	147.00

0345 Replacement scribers for 0345 / 0347

Model

- Carbide tipped
- Packing: individually packed

⊞	⊞	Length mm	Material	Order no.	List price EUR
		75	Carbide-tipped	0345 910	124.00
		150	Carbide-tipped	0345 912	138.00



0349 DIGI-MET® Height gauges with sliding scriber



0349 722*

Model

- Measuring beam is made from special steel
- LCD-display 11 mm
- Fine adjustment
- Setting screw
- Steel base with dirt grooves
- Scribing possible from base plate level

Functions

- ON / OFF
- Set to zero at any point
- mm / inch switching
- PRESET-Function (setting a numerical value)
- Hold
- ABS (display can be set to zero without losing the Preset value)
- Reversal of counting direction
- Factor input
- Data output Proximity USB + RS232

Delivery

- With interchangeable scribing jaws, carbide tipped

✕	📏	Measuring range		Reading		Base dimensions	Beam	Order no.	List price
		mm	inch	mm	inch	mm	mm		EUR
		0 - 300	0 - 12	0.01	.0005	145 x 90 x 44	30 x 12	0349 722	594.00
		0 - 600	0 - 24	0.01	.0005	189 x 118 x 44	30 x 12	0349 730	756.00
		0 - 1000	0 - 39	0.01	.0005	189 x 118 x 44	30 x 12	0349 734	1027.00

Accessories

	List price	EUR
Battery, 3V-Lithium, CR 2032	0220 704	3.90
Data cable Proximity to USB	1998 760	147.00

*Figure does not show standard delivery content

0349 Replacement scribers for 0349



✕	📏	Length mm	Material	Order no.	List price EUR
Cranked scriber, for marking operations from base					
		270	Special steel, hardened	0349 912	133.00
		270	Carbide-tipped	0349 916	169.00
Straight scriber					
		270	Special steel, hardened	0349 910	114.00
		270	Carbide-tipped	0349 914	148.00

Limited measuring range while using a cranked scriber



0331 Replacement scriber for height gauges not any longer included in our catalogue



Order no. Scriber	Order no. Height gauge	0330...	0331...	0336...	0338...	0340...	0342...	Material	Length	Shaft	List price
									mm	mm	EUR
0331 011			●		●			straight, hardened steel	270	8 x 8	114.00
0331 030			●					cranked, hardened steel	270	8 x 8	133.00
0331 111			●		●			straight, carbide tipped	270	8 x 8	148.00
0331 130			●					cranked, carbide tipped	270	8 x 8	169.00
0334 101		●		●		●	●	straight, carbide tipped	65	8 x 8	75.00
0334 102		●		●		●	●	straight, carbide tipped	75	-	124.00
0334 105				●				straight, carbide tipped	120	-	91.00
0334 106				●				straight, carbide tipped	150	-	138.00
0338 354					●			cranked, hardened steel	270	8 x 8	146.00
0338 357					●			cranked, carbide tipped	270	8 x 8	190.00