



## 0368 Squares with base accuracy grade 0



### Model

- DIN 875
- Accuracy grade 0
- For exact angle testing (for example: tool making)

### Delivery

- Cardboard box
- From blade length 1000 mm in a transportation box

		Jaw length mm	Cross-section mm	Order no.	List price EUR	DIN 875
<b>Special steel</b>						
		75 x 50	15 x 5	0368 102	16.00	
		100 x 70	20 x 5	0368 103	18.70	
		150 x 100	25 x 5	0368 104	28.20	
		200 x 130	30 x 6	0368 105	36.20	
		250 x 165	35 x 7	0368 106	52.00	
		300 x 200	40 x 8	0368 107	71.00	
		400 x 265	45 x 10	0368 108	154.00	
		500 x 330	50 x 10	0368 109	225.00	
		600 x 400	50 x 10	0368 110	322.00	
		750 x 500	60 x 12	0368 111	550.00	
	▪	1000 x 660	70 x 15	0368 112	987.00	
<b>Stainless steel</b>						
		75 x 50	15 x 5	0368 202	24.00	
		100 x 70	20 x 5	0368 203	25.80	
		150 x 100	25 x 5	0368 204	44.40	
		200 x 130	30 x 6	0368 205	64.00	
		250 x 165	35 x 7	0368 206	93.00	
		300 x 200	40 x 8	0368 207	104.00	
		400 x 265	45 x 10	0368 208	195.00	
		500 x 330	50 x 10	0368 209	270.00	
		600 x 400	50 x 10	0368 210	401.00	
		750 x 500	60 x 12	0368 211	689.00	
	▪	1000 x 660	70 x 15	0368 212	1462.00	

## 0369 Squares without base accuracy grade 0



### Model

- DIN 875
- Accuracy grade 0
- For exact angle testing (for example: tool making)

### Delivery

- Cardboard box
- From blade length 1000 mm in a transportation box

		Jaw length mm	Cross-section mm	Order no.	List price EUR	DIN 875
<b>Special steel</b>						
		75 x 50	15 x 5	0369 102	10.50	
		100 x 70	20 x 5	0369 103	11.80	
		150 x 100	25 x 5	0369 104	14.50	
		200 x 130	30 x 6	0369 105	24.00	
		250 x 165	35 x 7	0369 106	33.10	
		300 x 200	40 x 8	0369 107	42.50	
		400 x 265	45 x 10	0369 108	104.00	
		500 x 330	50 x 10	0369 109	128.00	
		600 x 400	50 x 10	0369 110	253.00	
		750 x 500	60 x 12	0369 111	470.00	
	▪	1000 x 660	70 x 15	0369 112	838.00	
<b>Stainless steel</b>						
		75 x 50	15 x 5	0369 202	17.40	
		100 x 70	20 x 5	0369 203	19.10	
		150 x 100	25 x 5	0369 204	25.30	
		200 x 130	30 x 6	0369 205	38.30	
		250 x 165	35 x 7	0369 206	51.00	
		300 x 200	40 x 8	0369 207	71.00	
		400 x 265	45 x 10	0369 208	135.00	
		500 x 330	50 x 10	0369 209	188.00	
		600 x 400	50 x 10	0369 210	315.00	
		750 x 500	60 x 12	0369 211	588.00	
	▪	1000 x 660	70 x 15	0369 212	1103.00	





## 0385 Inspection squares with base accuracy grade 0, hardened



### Model

- DIN 875
- Accuracy grade 0
- For exact angle testing (for example: tool making)

### Delivery

- Cardboard box

**DIN  
875**

		Jaw length mm	Cross-section mm	Order no.	List price EUR
<b>Special steel</b>					
		50 x 40	15 x 4	0385 102	25.30
		75 x 50	15 x 4	0385 103	27.00
		100 x 70	20 x 5	0385 104	32.30
		150 x 100	25 x 6	0385 105	48.20
		200 x 130	30 x 7	0385 106	67.00
		300 x 200	40 x 8	0385 108	117.00
<b>Stainless steel</b>					
		50 x 40	15 x 4	0385 202	35.10
		75 x 50	15 x 4	0385 203	39.00
		100 x 70	20 x 5	0385 204	48.20
		150 x 100	25 x 6	0385 205	64.00
		200 x 130	30 x 7	0385 206	82.00
		300 x 200	40 x 8	0385 208	121.00

## 0386 Inspection squares without base accuracy grade 0, hardened



### Model

- DIN 875
- Accuracy grade 0
- For exact angle testing (for example: tool making)

### Delivery

- Cardboard box

**DIN  
875**

5

		Jaw length mm	Cross-section mm	Order no.	List price EUR
<b>Special steel</b>					
		50 x 40	15 x 4	0386 102	19.10
		75 x 50	15 x 4	0386 103	20.50
		100 x 70	20 x 5	0386 104	25.10
		150 x 100	25 x 6	0386 105	31.10
		200 x 130	30 x 7	0386 106	40.10
		300 x 200	40 x 8	0386 108	77.00
<b>Stainless steel</b>					
		50 x 40	15 x 4	0386 202	24.20
		75 x 50	15 x 4	0386 203	27.40
		100 x 70	20 x 5	0386 204	32.30
		150 x 100	25 x 6	0386 205	41.90
		200 x 130	30 x 7	0386 206	54.00
		300 x 200	40 x 8	0386 208	107.00



## 0370 Squares with base accuracy grade 1



### Model

- DIN 875
- Accuracy grade 1
- For angle testing in production and factory

### Delivery

- Cardboard box
- From blade length 1000 mm in a transportation box

		Jaw length mm	Cross-section mm	Order no.	List price EUR
<b>Special steel</b>					
		75 x 50	15 x 5	0370 102	12.00
		100 x 70	20 x 5	0370 103	13.50
		150 x 100	25 x 5	0370 104	18.00
		200 x 130	30 x 6	0370 105	22.50
		250 x 165	35 x 7	0370 106	30.00
		300 x 200	40 x 8	0370 107	37.00
		400 x 265	45 x 10	0370 108	99.00
		500 x 330	50 x 10	0370 109	145.00
		600 x 400	50 x 10	0370 110	205.00
		750 x 500	60 x 12	0370 111	410.00
	▪	1000 x 660	70 x 15	0370 112	690.00
<b>Stainless steel</b>					
		75 x 50	15 x 5	0370 202	16.00
		100 x 70	20 x 5	0370 203	19.00
		150 x 100	25 x 5	0370 204	26.00
		200 x 130	30 x 6	0370 205	35.00
		250 x 165	35 x 7	0370 206	49.00
		300 x 200	40 x 8	0370 207	63.00
		400 x 265	45 x 10	0370 208	168.00
		500 x 330	50 x 10	0370 209	206.00
		600 x 400	50 x 10	0370 210	350.00
		750 x 500	60 x 12	0370 211	542.00
	▪	1000 x 660	70 x 15	0370 212	876.00

**DIN  
875**

## 0371 Squares without base accuracy grade 1



### Model

- DIN 875
- Accuracy grade 1
- For angle testing in production and factory

### Delivery

- Cardboard box
- From blade length 1000 mm in a transportation box

		Jaw length mm	Cross-section mm	Order no.	List price EUR
<b>Special steel</b>					
		75 x 50	15 x 5	0371 102	8.50
		100 x 70	20 x 5	0371 103	9.50
		150 x 100	25 x 5	0371 104	11.50
		200 x 130	30 x 6	0371 105	16.00
		250 x 165	35 x 7	0371 106	22.50
		300 x 200	40 x 8	0371 107	29.00
		400 x 265	45 x 10	0371 108	69.00
		500 x 330	50 x 10	0371 109	90.00
		600 x 400	50 x 10	0371 110	125.00
		750 x 500	60 x 12	0371 111	280.00
	▪	1000 x 660	70 x 15	0371 112	480.00
<b>Stainless steel</b>					
		75 x 50	15 x 5	0371 202	9.40
		100 x 70	20 x 5	0371 203	11.40
		150 x 100	25 x 5	0371 204	16.00
		200 x 130	30 x 6	0371 205	22.20
		250 x 165	35 x 7	0371 206	32.30
		300 x 200	40 x 8	0371 207	39.40
		400 x 265	45 x 10	0371 208	130.00
		500 x 330	50 x 10	0371 209	163.00
		600 x 400	50 x 10	0371 210	269.00
		750 x 500	60 x 12	0371 211	493.00
	▪	1000 x 660	70 x 15	0371 212	795.00

**DIN  
875**



## 0372 Squares with base accuracy grade 2



### Model

- Special steel
- DIN 875
- Accuracy grade 2
- For angle testing in production and factory

### Delivery

- Cardboard box
- From blade length 1500 mm in a transportation box

**DIN  
875**

☒	☒	Jaw length mm	Cross-section mm	Order no.	List price EUR
		75 x 50	15 x 5	0372 102	10.20
		100 x 70	20 x 5	0372 103	11.50
		150 x 100	25 x 5	0372 104	15.00
		200 x 130	30 x 6	0372 105	19.00
		250 x 165	35 x 7	0372 106	25.50
		300 x 175	35 x 7	0372 107	32.00
		400 x 200	35 x 7	0372 108	53.00
		500 x 250	40 x 8	0372 109	70.00
		600 x 300	40 x 8	0372 110	95.00
		750 x 375	45 x 10	0372 111	120.00
		1000 x 500	50 x 10	0372 112	165.00
	▪	1500 x 750	60 x 12	0372 113	590.00
	▪	2000 x 1000	60 x 12	0372 114	950.00

## 0373 Squares without base accuracy grade 2



### Model

- Special steel
- DIN 875
- Accuracy grade 2
- For angle testing in production and factory

### Delivery

- Cardboard box
- From blade length 1500 mm in a transportation box

**DIN  
875**

**5**

☒	☒	Jaw length mm	Cross-section mm	Order no.	List price EUR
		75 x 50	15 x 5	0373 102	7.20
		100 x 70	20 x 5	0373 103	8.00
		150 x 100	25 x 5	0373 104	11.00
		200 x 130	30 x 6	0373 105	13.00
		250 x 165	35 x 7	0373 106	18.00
		300 x 175	35 x 7	0373 107	23.00
		400 x 200	35 x 7	0373 108	36.00
		500 x 250	40 x 8	0373 109	52.00
		600 x 300	40 x 8	0373 110	70.00
		750 x 375	45 x 10	0373 111	94.00
		1000 x 500	50 x 10	0373 112	135.00
	▪	1500 x 750	60 x 12	0373 113	525.00
	▪	2000 x 1000	60 x 12	0373 114	840.00



## 0374 Steel squares with base



### Model

- Special steel, zinc coated
- Factory standard
- Simple design for angle test in steel and metal construction

### Delivery

- Cardboard box
- From blade length 1500 mm in a transportation box

✂	📏	Jaw length mm	Cross-section mm	Order no.	List price EUR
		100 x 70	20 x 5	0374 404	7.00
		150 x 100	20 x 5	0374 408	7.90
		200 x 130	20 x 5	0374 410	9.50
		250 x 160	25 x 5	0374 412	11.50
		300 x 180	25 x 5	0374 414	14.00
		400 x 230	30 x 5	0374 416	17.70
		500 x 280	30 x 5	0374 418	23.50
		600 x 330	30 x 5	0374 420	31.50
		750 x 375	30 x 5	0374 424	37.50
		1000 x 500	30 x 5	0374 428	57.00
	▪	1500 x 750	40 x 5	0374 430	199.00
	▪	2000 x 1000	40 x 5	0374 432	292.00

\*polished

## 0375 Steel squares without base



### Model

- Special steel, zinc coated
- Factory standard
- Simple design for angle test in steel and metal construction

### Delivery

- Cardboard box
- From blade length 1500 mm in a transportation box

✂	📏	Jaw length mm	Cross-section mm	Order no.	List price EUR
		100 x 70	20 x 5	0375 404	5.70
		150 x 100	20 x 5	0375 408	6.00
		200 x 130	20 x 5	0375 410	6.40
		250 x 160	25 x 5	0375 412	7.80
		300 x 180	25 x 5	0375 414	8.50
		400 x 230	30 x 5	0375 416	11.70
		500 x 280	30 x 5	0375 418	13.00
		600 x 330	30 x 5	0375 420	15.90
		750 x 375	30 x 5	0375 424	18.90
		1000 x 500	30 x 5	0375 428	24.50
	▪	1500 x 750	40 x 5	0375 430	96.00
	▪	2000 x 1000	40 x 5	0375 432	145.00

\*polished



## 0376 Squares with hard and slim blade, accuracy grade 1



### Model

### Delivery

**DIN  
875**

- Special steel
- DIN 875
- Accuracy grade 1
- For angle testing in production and factory

- Cardboard box



✂	☞	Jaw length mm	Cross section with narrow beam mm	Cross section with wide beam mm	Order no.	List price EUR
		75 x 50	14 x 10	14 x 3	0376 102	12.30
		100 x 70	16 x 10	16 x 3	0376 103	13.10
		150 x 100	20 x 12	22 x 3	0376 104	16.50
		200 x 130	24 x 14	24 x 3	0376 105	27.10

## 0376 Squares with hard and slim blade, accuracy grade 2



### Model

### Delivery

**DIN  
875**

- Special steel
- DIN 875
- Accuracy grade 2
- For angle testing in production and factory

- Cardboard box



✂	☞	Jaw length mm	Cross section with narrow beam mm	Cross section with wide beam mm	Order no.	List price EUR
		75 x 50	14 x 2	14 x 10	0376 112	11.50
		100 x 70	18 x 2	16 x 10	0376 113	12.20
		150 x 100	22 x 3	20 x 12	0376 114	14.80
		200 x 130	24 x 3	24 x 14	0376 115	20.70
		250 x 160	28 x 3	28 x 16	0376 116	25.60
		300 x 175	30 x 3	32 x 18	0376 117	30.50



## 0390 Squares with hard and slim blade, hardened, accuracy grade 0



### Model

- DIN 875
- Accuracy grade 0
- For exact angle testing (for example: tool making)

### Delivery

- Cardboard box

DIN  
875



▶	🏠	Jaw length mm	Cross section with narrow beam mm	Cross section with wide beam mm	Order no.	List price EUR
<b>Special steel</b>						
		50 x 40	14 x 10	16 x 2	0390 102	36.20
		75 x 50	14 x 10	18 x 2	0390 103	36.20
		100 x 70	16 x 10	18 x 2	0390 104	41.90
		150 x 100	20 x 12	22 x 3	0390 105	53.00
		200 x 130	24 x 14	26 x 3	0390 106	72.00
		300 x 200	30 x 18	32 x 3	0390 108	121.00
<b>Stainless steel</b>						
		50 x 40	14 x 10	16 x 2	0390 202	47.90
		75 x 50	14 x 10	18 x 2	0390 203	54.00
		100 x 70	16 x 10	18 x 2	0390 204	69.00
		150 x 100	20 x 12	22 x 3	0390 205	89.00
		200 x 130	24 x 14	26 x 3	0390 206	111.00
		300 x 200	30 x 18	32 x 3	0390 208	171.00

## 0391 Knife edge squares with hard and slim blade, hardened, accuracy grade 00



### Model

- With knife edge
- DIN 875
- Accuracy grade 00
- For exact flatness testing (for example: in production)

### Delivery

- Cardboard box

DIN  
875



▶	🏠	Jaw length mm	Cross section with narrow beam mm	Cross section with wide beam mm	Order no.	List price EUR
<b>Special steel, non-glare knife edge</b>						
		50 x 40	14 x 10	16 x 2	0391 102	56.00
		75 x 50	14 x 10	18 x 2	0391 103	56.00
		100 x 70	16 x 10	18 x 2	0391 104	73.00
		150 x 100	20 x 12	22 x 3	0391 105	92.00
		200 x 130	24 x 14	26 x 3	0391 106	124.00
		300 x 200	30 x 18	32 x 3	0391 108	181.00
<b>Stainless steel</b>						
		50 x 40	14 x 10	16 x 2	0391 202	67.00
		75 x 50	14 x 10	18 x 2	0391 203	75.00
		100 x 70	16 x 10	18 x 2	0391 204	85.00
		150 x 100	20 x 12	22 x 3	0391 205	109.00
		200 x 130	24 x 14	26 x 3	0391 206	140.00
		300 x 200	30 x 18	32 x 3	0391 208	227.00



## 0388 Knife edge squares, hardened, accuracy grade 00



### Model

- DIN 875
- Accuracy grade 00
- For exact angle and flatness testing (for example: tool making)

### Delivery

- Cardboard box

**DIN  
875**

	Jaw length mm	Cross-section mm	Order no.	List price EUR
<b>Special steel, non-glare knife edge</b>				
	50 x 40	14 x 4	0388 102	20.20
	75 x 50	15 x 4	0388 103	24.00
	100 x 70	20 x 5	0388 104	28.70
	150 x 100	25 x 6	0388 105	38.60
	200 x 130	30 x 7	0388 106	54.00
	300 x 200	40 x 8	0388 108	94.00
<b>Stainless steel</b>				
	50 x 40	14 x 4	0388 202	24.00
	75 x 50	15 x 4	0388 203	28.20
	100 x 70	20 x 5	0388 204	34.00
	150 x 100	25 x 6	0388 205	43.90
	200 x 130	30 x 7	0388 206	65.00
	300 x 200	40 x 8	0388 208	142.00
	500 x 330	40 x 10	0388 210	676.00

## 0394 Knife edge squares



0394 101

0394 110

### Model

- **0394101**
- Reading parts are satin chrome finished
- Sliding knife 7 x 7 x 60 mm
- Angle  $\pm 5^\circ$
- Handle 40 x 23 x 9 mm
- For testing on short edges and grooves through the sliding knife edge

### Delivery

- **0394110**
- Wooden case
- Reading parts are satin chrome finished
- Sliding knife edge 7 x 7 x 60 mm
- Handle 40 x 23 x 9 mm
- For tests at short grooves through the sliding straight edge

	Dimensions mm	Cross-section mm	Order no.	List price EUR
	60 x 35 x 13	7 x 7 x 100	0394 101	212.00
	40 x 23 x 9	7 x 7 x 60	0394 110	85.00

Accessories	Order no.	List price EUR
Replacement rule for 0394	0394 104	38,30





## 0387 Knife edge squares



### Model

- Stainless steel
- DIN 875
- Accuracy grade 00
- Angle 90°
- Knife edge on the inside

### Delivery

- Cardboard box

**DIN  
875**

✕	📏	Jaw length	Cross section with narrow beam	Cross section with wide beam	Order no.	List price
		mm	mm	mm		EUR
		25 x 20	5 x 3.5	6 x 3.5	0387 200	17.90
		40 x 28	5 x 3.5	8 x 3.5	0387 201	17.90

## 0397 5 piece inspection set



### Model

set consisting of:

- Knife edge square, stainless steel 75 x 50 mm
- Knife edge square, stainless steel 40 x 28 mm
- Knife edge square, stainless steel 25 x 20 mm
- Knife edge rule, special steel 100 mm
- Gauge block scriber 60 x 9 x 9 mm

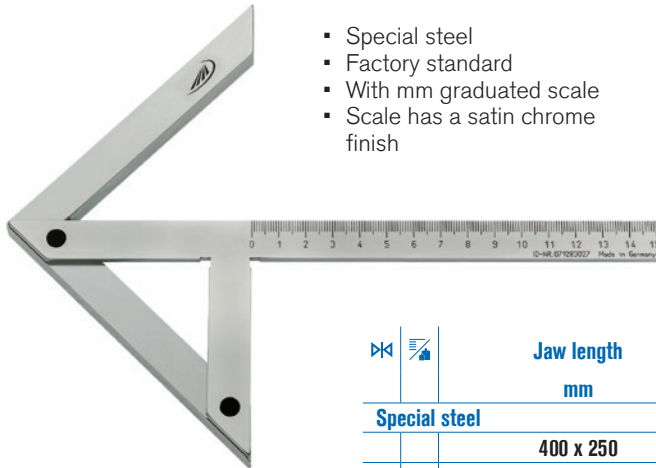
### Delivery

- Wooden case

✕	📏	Order no.	List price
			EUR
		0397 101	184.00



## 0380 Centre squares



### Model

- Special steel
- Factory standard
- With mm graduated scale
- Scale has a satin chrome finish

### Delivery

- Cardboard box

☰	☰	Jaw length mm	For shaft dia. up to mm	Order no.	List price EUR
<b>Special steel</b>					
		400 x 250	380.0	0380 108	262.00
		500 x 330	530.0	0380 109	466.00
<b>Special steel, chrome finished</b>					
		100 x 70	90.0	0380 103	57.00
		150 x 130	190.0	0380 104	68.00
		200 x 150	220.0	0380 105	85.00
		250 x 160	230.0	0380 106	94.00
		300 x 180	280.0	0380 107	102.00

## 0396 Flange squares



### Model

- Special steel, zinc coated
- Factory standard
- For accurately aligning flanges e.g. in plumbing and sanitary works in pipeline

### Delivery

- Cardboard box
- From blade length 600 mm in transportation box

☰	☰	Jaw length mm	Cross-section mm	Order no.	List price EUR
		300 x 300	30 x 5	0396 414	16.50
		400 x 400	30 x 5	0396 416	19.50
		500 x 500	30 x 5	0396 418	23.00
	▪	600 x 600	30 x 5	0396 420	29.00
	▪	800 x 800	30 x 5	0396 426	35.00



## 0395 Mitre squares 120°



### Model

- Special steel
- Factory standard

### Delivery

- Cardboard box

▶	▶	Jaw length mm	Cross-section mm	Order no.	List price EUR
<b>Flat, without base</b>					
		50 x 50	15 x 5	0395 132	8.60
		75 x 75	18 x 5	0395 133	11.00
		100 x 100	20 x 5	0395 134	13.30

## 0395 Mitre squares 135°



### Model

- Special steel
- Factory standard

### Delivery

- Cardboard box

▶	▶	Jaw length mm	Cross-section mm	Order no.	List price EUR
<b>With base</b>					
		120 x 80	20 x 5	0395 142	19.10
		150 x 100	20 x 5	0395 143	21.60
		200 x 130	25 x 5	0395 144	28.20
<b>Flat, without base</b>					
		50 x 50	15 x 5	0395 136	8.60
		75 x 75	18 x 5	0395 137	11.00
		100 x 100	20 x 5	0395 138	13.30
		120 x 80	20 x 5	0395 146	14.10
		150 x 100	20 x 5	0395 147	19.10
		200 x 130	25 x 5	0395 148	25.80



## 0395 Acute angle squares 60°



### Model

- Special steel
- Factory standard

### Delivery

- Cardboard box

		Jaw length mm	Cross-section mm	Order no.	List price EUR
<b>With base</b>					
		120 x 80	20 x 5	0395 122	26.50
		150 x 100	20 x 5	0395 123	30.30
		200 x 130	25 x 5	0395 124	40.60
<b>Flat, without base</b>					
		120 x 80	20 x 5	0395 126	19.00
		150 x 100	20 x 5	0395 127	21.20
		200 x 130	25 x 5	0395 128	29.80

## 0395 Acute angle squares 45°



### Model

- Special steel
- Factory standard

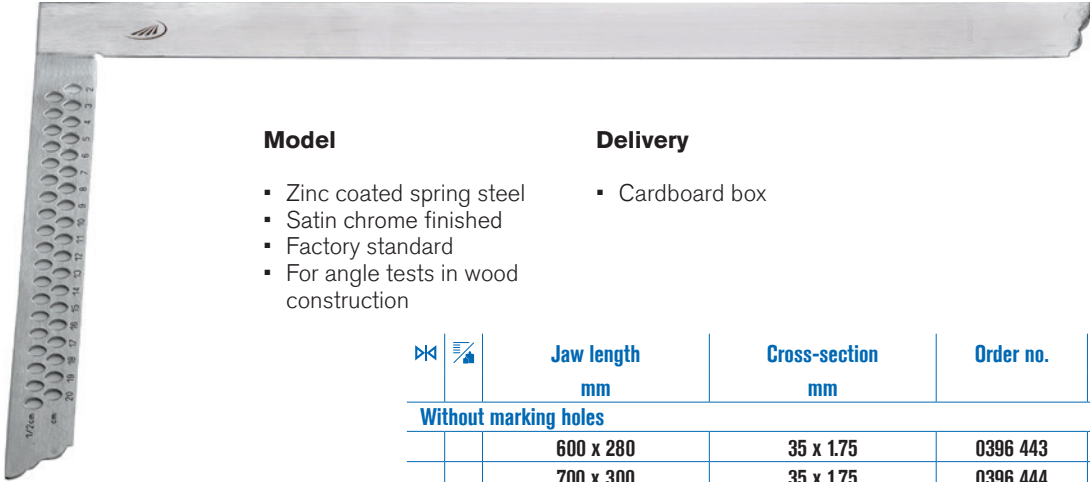
### Delivery

- Cardboard box

		Jaw length mm	Cross-section mm	Order no.	List price EUR
<b>With base</b>					
		120 x 80	20 x 5	0395 102	28.00
		150 x 100	20 x 5	0395 103	31.10
		200 x 130	25 x 5	0395 104	41.90
<b>Flat, without base</b>					
		120 x 80	20 x 5	0395 106	19.70
		150 x 100	20 x 5	0395 107	21.60
		200 x 130	25 x 5	0395 108	31.10



## 0396 Carpenters squares





### Model

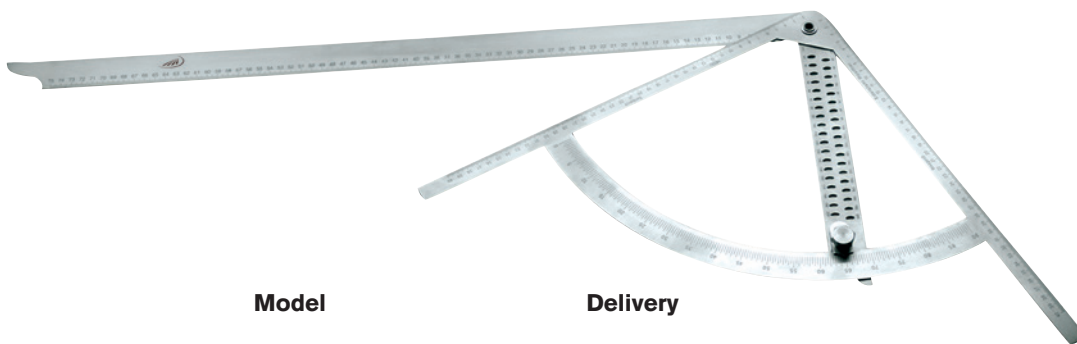
- Zinc coated spring steel
- Satin chrome finished
- Factory standard
- For angle tests in wood construction

### Delivery

- Cardboard box

		Jaw length mm	Cross-section mm	Order no.	List price EUR
<b>Without marking holes</b>					
		600 x 280	35 x 1.75	0396 443	10.50
		700 x 300	35 x 1.75	0396 444	12.40
		800 x 320	35 x 1.75	0396 445	13.40
		1000 x 380	35 x 1.75	0396 446	17.30
<b>With marking holes</b>					
		600 x 280	35 x 1.75	0396 453	13.20
		700 x 300	35 x 1.75	0396 454	14.90
		800 x 320	35 x 1.75	0396 455	16.60
		1000 x 380	35 x 1.75	0396 456	20.30

## 0396 Alpha squares with marking holes





### Model

- Stainless steel
- Long blade with mm graduation, short blade used as adjustable protractor and for marking and production of wood joints 0°-90°

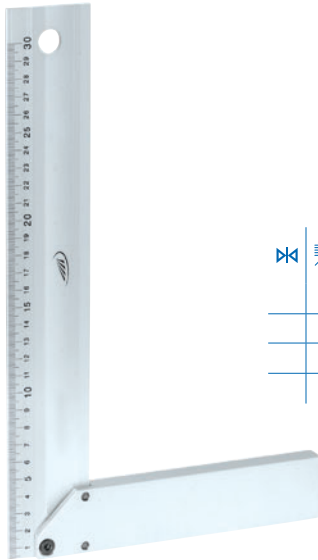
### Delivery

- Cardboard box

		Jaw length mm	Cross-section mm	Order no.	List price EUR
		430 x 795	35	0396 290	96.00



## 0396 Joiner squares with mitre



### Model

- Aluminium
- mm graduation

### Delivery

- Cardboard box

	Jaw length mm	Cross section with narrow beam mm	Cross section with wide beam mm	Order no.	List price EUR
	250 x 148	40 x 14	50 x 5	0396 982	11.90
	300 x 164	40 x 14	50 x 5	0396 983	14.10
	400 x 195	40 x 14	50 x 5	0396 984	16.80

## 0396 Adjustable square



### Model

- Special steel, zinc coated
- Satin chrome finished
- Screw hinge
- For transferring, marking and setting of individual angles

### Delivery

- Cardboard box

	Jaw length mm	Cross-section mm	Order no.	List price EUR
	200	20 x 8	0396 432	9.80
	250	25 x 8	0396 433	12.10
	300	25 x 8	0396 434	14.80
	400	25 x 8	0396 435	19.00
	500	25 x 8	0396 436	21.20