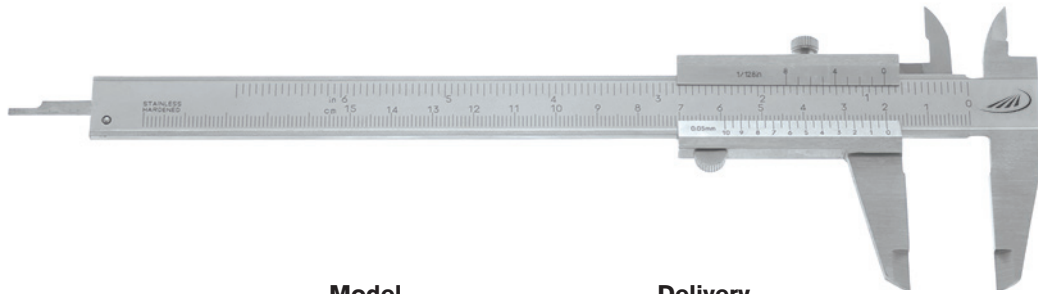




0182 Pocket vernier caliper for lefthanded



1

Model

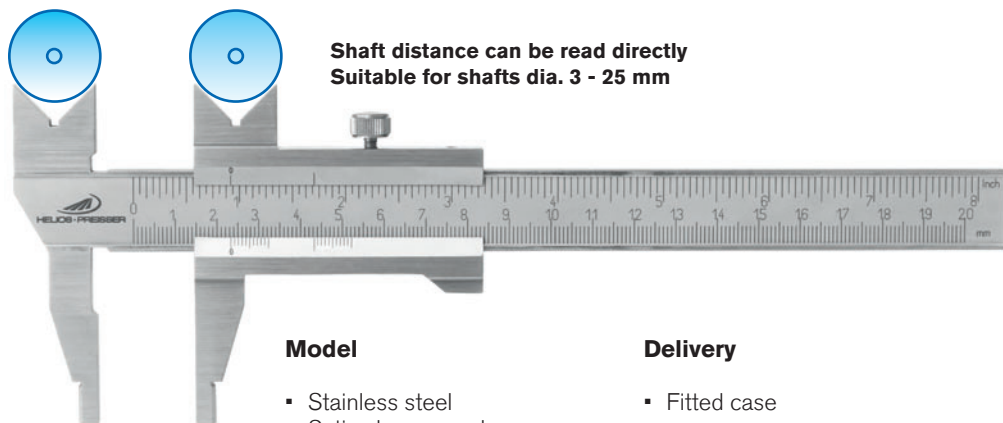
- Stainless steel
- Reading parts have a satin chrome finish
- Locking screw
- Factory standard

Delivery

- Imitation leather case

Icon	Measuring range		Jaw length		Reading		Error limit	Depth gauge	Order no.	List price
	mm	inch	mm	inch	mm	inch				
With locking screw	0 - 150	0 - 6	40	1.6	0.05	1/128	0.05	rectangular	0182 501	34.50

0261 Shaft distance caliper



Model

- Stainless steel
- Satin chrome scale
- Factory standard
- Main intervals are located deeper
- Stepped jaws for inside measurement: 10 mm

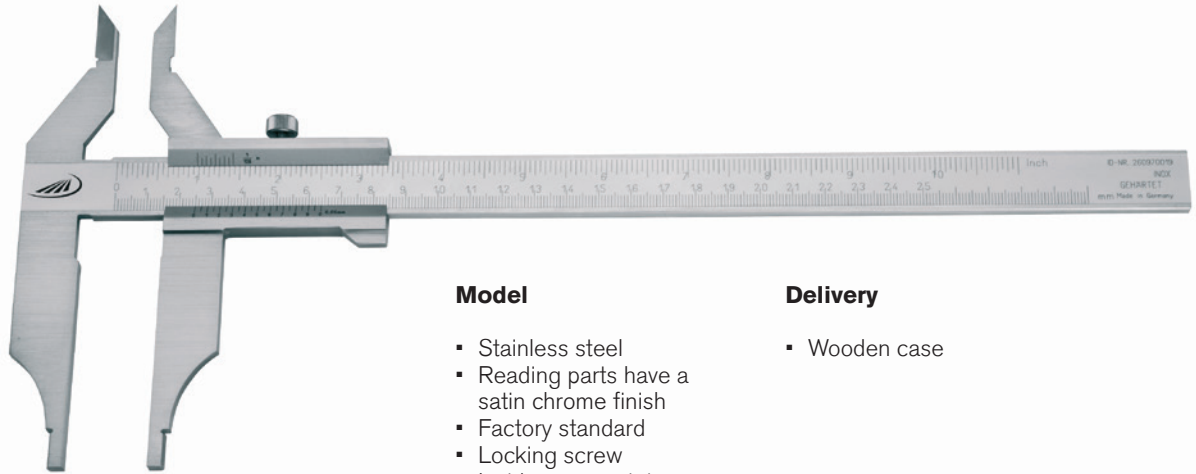
Delivery

- Fitted case

Icon	Measuring range		Jaw length	Reading	Order no.	List price
	mm	inch	mm	mm		
	0 - 150	0 - 6	40	0.1	0261 516	224.00



0265 Caliper with cross points



Model

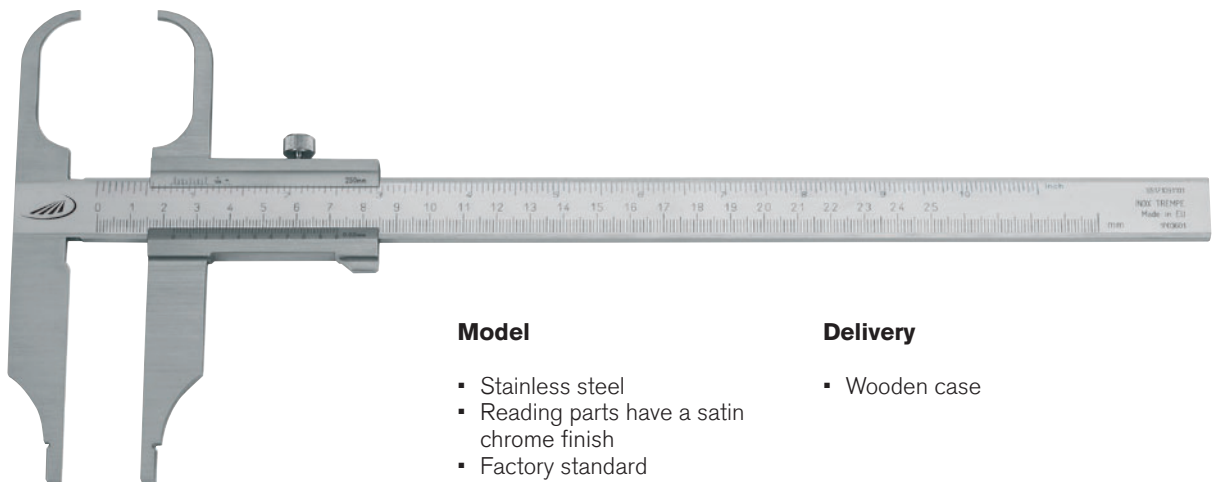
- Stainless steel
- Reading parts have a satin chrome finish
- Factory standard
- Locking screw
- Inside cross points 55 mm

Delivery

- Wooden case

Icon	Measuring range	Jaw length		Reading	Error limit	Order no.	List price
	mm	mm	inch	mm	mm		EUR
	0 - 250	80	3.1	0.02	0.03	0265 52005	270.00

0266 Caliper with gripper points



Model

- Stainless steel
- Reading parts have a satin chrome finish
- Factory standard
- Locking screw
- Gripper points 55 mm

Delivery

- Wooden case

Icon	Measuring range	Jaw length		Reading	Error limit	Order no.	List price
	mm	mm	inch	mm	mm		EUR
	0 - 250	75	3.0	0.02	0.03	0266 52005	362.00