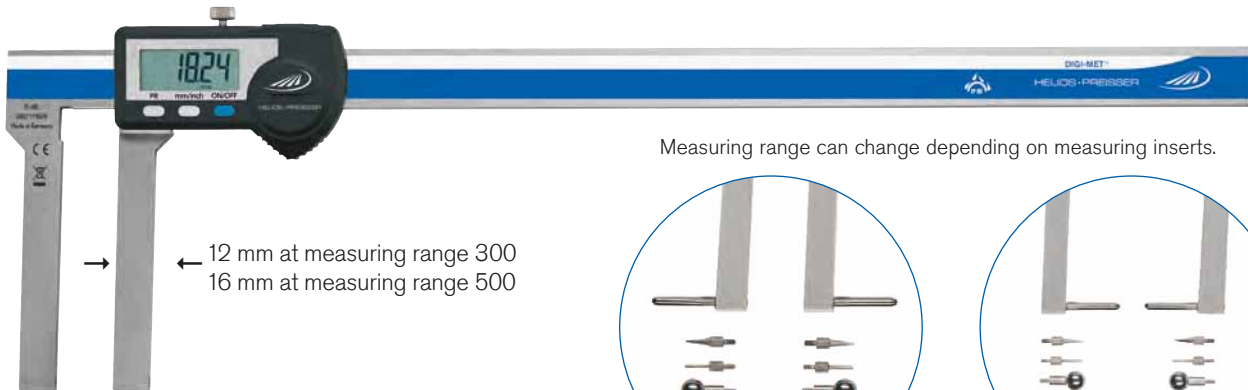


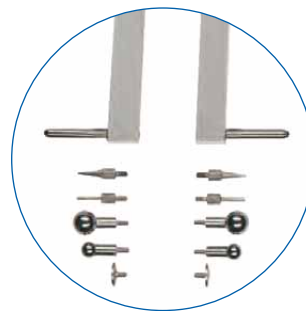


## 1348 DIGI-MET® Universal calipers

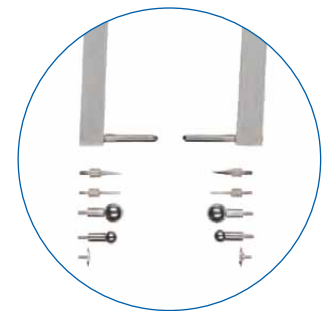


Measuring range can change depending on measuring inserts.

→ ← 12 mm at measuring range 300  
16 mm at measuring range 500



for internal measurements



for external measurements

### Model

- Stainless steel
- Factory standard
- Protection class IP65
- LCD display 10 or 12.5 mm
- Locking screw
- For internal and external measurements
- Individually adaptable on problematic tasks through measuring inserts with thread M 2.5

### Functions

- ON / OFF
- **Quick-Start**
- **Quick-Lock** (key lock)
- Set to zero at any point
- mm / inch switching
- PRESET-Function (setting a numerical value)
- Variable data output RS 232 + Digimatic + USB

### Delivery

- Wooden box
- Without measuring inserts (correct measuring inserts with thread M 2.5 see pages 125 - 128)

✕	Measuring range		Jaw length		Reading		Error limit	Order no.	List price
	mm	inch	mm	inch	mm	inch	mm		EUR
	0 - 300	0 - 12	90	3.5	0.01	.0005	0.06	1348 722	607.00
	0 - 500	0 - 20	100	4.0	0.01	.0005	0.06	1348 728	778.00



1998720

1998501

1997501

### Accessories

- Battery, 3V-Lithium, CR 2032
- Data cable DATA VARIABLE to RS232
- Data cable DATA VARIABLE to digimatic
- Data cable DATA VARIABLE to USB

### Order no.

- 0220 704
- 1997 501
- 1998 501
- 1998 720

### List price EUR

- 3.90
- 50.00
- 64.00
- 72.00