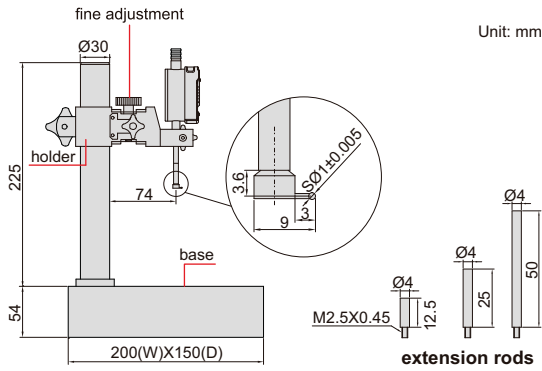


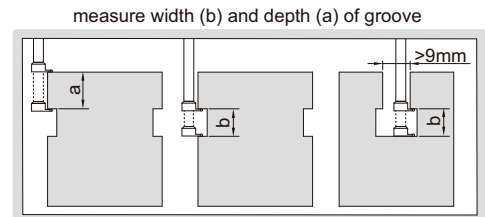
## DIGITAL GROOVE MEASUREMENT STANDS

DATA OUTPUT



6870-150

- Button function: on/off, zero, mm/inch, measuring direction change, data preset, absolute/incremental measurement
- Vertical travel of holder: 150mm
- Fine adjustment range: 2mm
- CR2032 battery, automatic power off (time is adjustable)
- Data output
- Supplied with extension rods: 12.5mm (1 pc), 25mm (1 pc), 50mm (1 pc)
- Supplied with groove point and dust cover
- Optional accessory: data output cable (code 7315-50M, 7302-40M, 7305-40M)



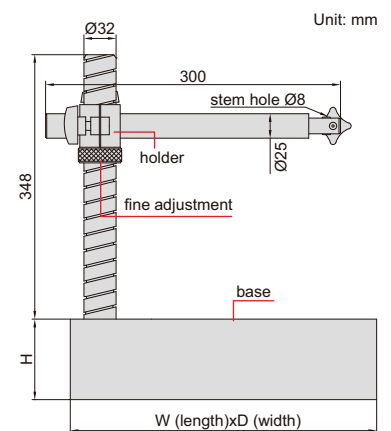
Code	Digital indicator stroke	Digital indicator resolution	Accuracy	Applicable holding stem	Base
6870-150	12.7mm/0.5"	0.01mm/0.0005"	$\pm 20\mu\text{m}$	Ø8mm	flatness 2.5 $\mu\text{m}$
6870-1501	12.7mm/0.5"	0.001mm/0.00005"	$\pm 5\mu\text{m}$	Ø8mm	flatness 2.5 $\mu\text{m}$

## GRANITE DIAL INDICATOR STANDS

- Vertical travel of holder: 250mm
- Fine adjustment range: entire stroke
- Supplied with dust cover



6867-250



Code	Applicable holding stem	W	D	H	Base
6867-250	Ø8mm	300mm	300mm	75mm	flatness 2.8 $\mu\text{m}$
6867-400	Ø8mm	400mm	300mm	100mm	flatness 3 $\mu\text{m}$