



Small Dial Gauge KM 4 SW

waterproof, shockproof

Due to their high-class impact protection the Small Dial Gauges KM 4 SW and KM 4/5 SW offer an extremely long service life. A gear rack sleeve covering the length of the spindle is arranged and sprung in such a way that the shocks against the measuring insert are not transferred to the measuring gear. These Dial Gauges are robust in operation. Their precision is maintained with practically no limitations.

Spindle and stem are made of resistant stainless steel. The spindle is lapped.

Small Dial Gauge KM 4 SW waterproof, shockproof	
Reading	0.01 mm
Range	3 mm
Range per revolution	0.5 mm
Bezel-Ø	44.5 mm
Stem-Ø	8 h 6
Accuracy according to	DIN 878
Initial measuring force	1.0 N ± 20%
Dimensioned drawing	page 54
Data sheet to DIN EN ISO 463	www.kaefer-messuhren.de



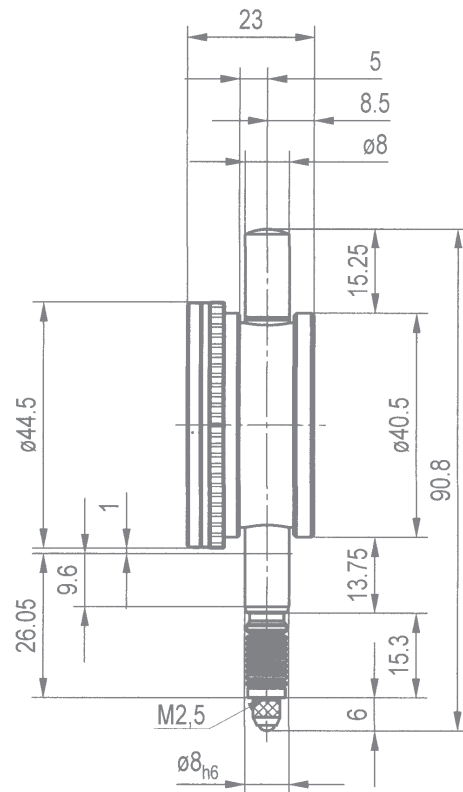
Small Dial Gauge KM 4/5 SW

waterproof, shockproof

Small Dial Gauge KM 4/5 SW waterproof, shockproof	
Reading	0.01 mm
Range	5 mm
Range per revolution	0.5 mm
Bezel-Ø	44.5 mm
Stem-Ø	8 h 6
Accuracy according to	DIN 878
Initial measuring force	0.9 N ± 20%
Dimensioned drawing	page 54
Data sheet to DIN EN ISO 463	www.kaefer-messuhren.de



Model shown: KM 4 SW



The above dimensioned drawing also applies to the Safety Dial Gauge SI-45 W.

On models KM 4 SW and SI-45 W the dimension 15.25 mm at the top is 12.25 mm instead. The overall length thus becomes 87.8 mm instead of 90.8 mm.

Special fittings:

